

Performance

ARM A83352, Higher performance, 50% improved



TP2507

Easy-to-use

Newest configuration software HCT-Designer, make the operation more easier

TP2000

Meet your needs in more occasions

Renewal of TP1000, TP2000 make more improvements
The new and improved products, with more beautiful appearance
more stable performance and richer functions, can meet the requirements of different customers in different fields



TP2504

Interface

With Ethernet, communication port, USB and SD card

Size

Full range of sizes, exquisite appearance and easy to install



TP2510

HCFA
HCFA CORPORATION LIMITED



info@hcfa.cn



020-84898493



020-84898493



No. 9, Fucai Road, Longyou Chengbei Industrial Zone, Quzhou, Zhejiang Province, PRC



Touch Screen



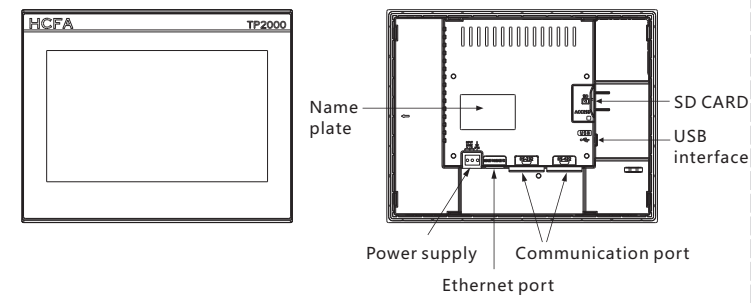
Offering a range of screen colors and sizes
Combining affordability with functionality

TP2510



10.1" touch panel

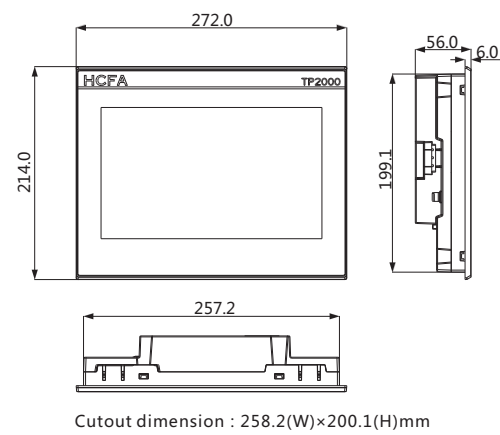
Part names



Parameters

Parameter	TL2510	TP2510	TP2510-E
Color display	16-bit	24-bit	24-bit
Ethernet	None	None	Provided
SD CARD	None	Provided	Provided
USB HOST	Provided	Provided	Provided
USB DEVICE	Provided	Provided	Provided
COM1/COM3	Provided	Provided	Provided
COM2/COM4	None	Provided	Provided
Isolated power supply	Non-isolated power Surge protection	Isolated power Surge protection	Isolated power Surge protection

External dimension



Basic parameters

Electrical specification	
Power Consumption	<10W
Rated voltage	24VDC, Input Range: 18V~28VDC
Power protection	Isolated power supply block, Protect from surging and thunderstrike
Allowable momentary power-off	<5mS
CE	Complied with EN61000-6-2:2005, EN61000-6-4:2007
RoHS	Surge Immunity ±4KV, EFT: ±4KV, ESD: 4KV, Air: 8KV
Environment Specification	
Operation Temperature	0~50°C
Storage Temperature	-20~60°C
Operation Humidity	10-90% RH (Without condensation)
Vibration Resistance	10~25 Hz(2G/30min in X,Y,Z direction)
Cooling	Natural air cooling
Others	
Enclosure Rating	Front IP65(With NEMA Panel), Back IP20
Housing Material	PBT+PC
Cutout Dimension	258.2×200.1 (mm)
Dimension	272×214×56 (mm)
Weight	About 1300g

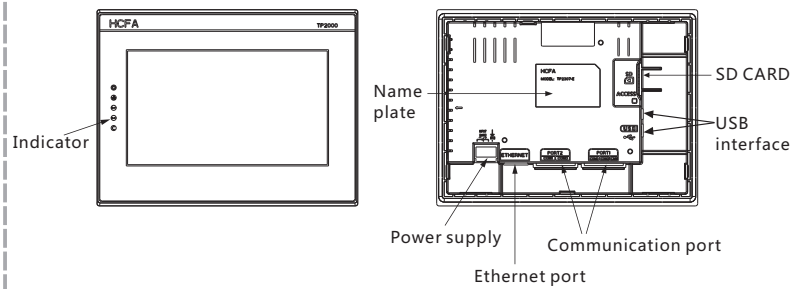
Hardware specification	
Display	10.1" TFT LCD
Resolution	800×480
Color	24/ 16 bit
Brightness	300 cd/m ²
Backlight	LED
LCD lifetime	50,000 hours
Touch Panel	4 wire resistive touch panel (Surface hardness 4H)
CPU	600MHz ARM Cortex A8
Memory	128M Flash + 128M DDR3
RTC	Built in real-time clock
Ethernet	10M / 100M Ethernet port
USB Port	1 USB Device 2.0 port 1 USB Host 2.0 port
Program Download	USB Host/ USB Slave/ SD card/ Ethernet are provided.
COM port	COM1/COM2 : RS232/RS485/RS422 ; COM3/COM4 : RS232

TP2507



7" touch panel

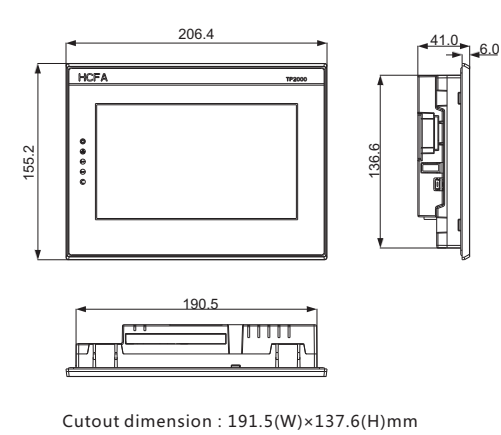
Part names



Parameters

Parameter	TL2507	TP2507	TP2507-E
Color display	16-bit	24-bit	24-bit
Ethernet	None	None	Provided
SD CARD	None	Provided	Provided
USB HOST	Provided	Provided	Provided
USB DEVICE	Provided	Provided	Provided
COM1/COM3	Provided	Provided	Provided
COM2/COM4	None	Provided	Provided
Isolated power supply	Non-isolated power Surge protection	Isolated power Surge protection	Isolated power Surge protection

External dimension



Basic parameters

Electrical specification	
Power Consumption	<7W
Rated voltage	24VDC, Input Range: 18V~28VDC
Power protection	Isolated power supply block, Protect from surging and thunderstrike
Allowable momentary power-off	<5mS
CE	Complied with EN61000-6-2:2005, EN61000-6-4:2007
RoHS	Surge Immunity ±4KV, EFT: ±4KV, ESD: 4KV, Air: 8KV
Environment Specification	
Operation Temperature	0~50°C
Storage Temperature	-20~60°C
Operation Humidity	10-90% RH (Without condensation)
Vibration Resistance	10~25 Hz(2G/30min in X,Y,Z direction)
Cooling	Natural air cooling
Others	
Enclosure Rating	Front IP65(With NEMA Panel), Back IP20
Housing Material	PBT+PC
Cutout Dimension	191.5×137.6 (mm)
Dimension	206.4×155.2×41.0 (mm)
Weight	About 900g

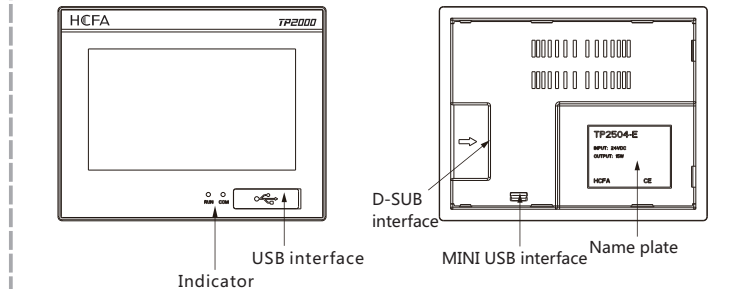
Hardware specification	
Display	7" TFT LCD
Resolution	800×480
Color	24/ 16 bit
Brightness	300 cd/m ²
Backlight	LED
LCD lifetime	50,000 hours
Touch Panel	4 wire resistive touch panel (Surface hardness 4H)
CPU	600MHz ARM Cortex A8
Memory	128M Flash + 128M DDR3
RTC	Built in real-time clock
Ethernet	10M / 100M Ethernet port
USB Port	1 USB Device 2.0 port 1 USB Host 2.0 port
Program Download	USB Host/ USB Slave/ SD card/ Ethernet are provided.
COM port	COM1/COM2 : RS232/RS485/RS422 ; COM3/COM4 : RS232

TP2504



4.3" touch panel

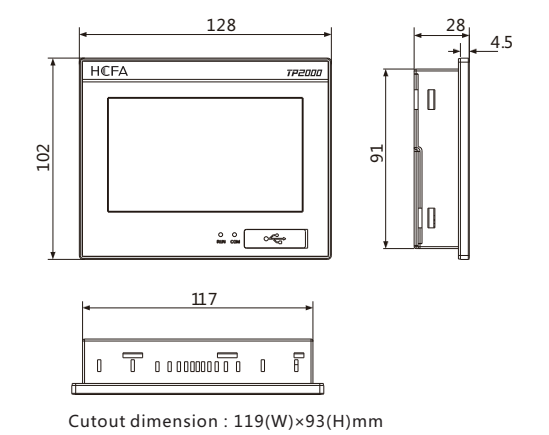
Part names



Parameters

Parameter	TL2504	TP2504	TP2504-E
Color display	16-bit	24-bit	24-bit
Ethernet	None	None	Provided
SD CARD	None	None	None
USB HOST	Provided	Provided	Provided
USB DEVICE	Provided	Provided	Provided
COM1/COM3	Provided	Provided	Provided
COM2/COM4	None	None	None
Isolated power supply	Non-isolated power Surge protection	Non-isolated power Surge protection	Non-isolated power Surge protection

External dimension



Basic parameters

Electrical specification	
Power Consumption	<5W
Rated voltage	24VDC, Input Range: 20.4V~26.4VDC
Power protection	Non-isolated power supply, Protect from surging and thunderstrike
Allowable momentary power-off	<5mS
CE	Complied with EN61000-6-2:2005, EN61000-6-4:2007
RoHS	Surge Immunity ±4KV, EFT: ±4KV, ESD: 4KV, Air: 8KV
Environment Specification	
Operation Temperature	0~50°C
Storage Temperature	-20~60°C
Operation Humidity	10-90% RH (Without condensation)
Vibration Resistance	10~25 Hz(2G/30min in X,Y,Z direction)
Cooling	Natural air cooling
Others	
Enclosure Rating	Front IP65(With NEMA Panel), Back IP20
Housing Material	PBT+PC
Cutout Dimension	119×93 (mm)
Dimension	128×102×28 (mm)
Weight	About 260g

Hardware specification	
Display	4.3" TFT LCD
Resolution	480×272
Color	24/ 16 bit
Brightness	300 cd/m ²
Backlight	LED
LCD lifetime	50,000 hours
Touch Panel	4 wire resistive touch panel (Surface hardness 4H)
CPU	600MHz ARM Cortex A8
Memory	128M Flash + 128M DDR3
RTC	Built in real-time clock
Ethernet	10M / 100M Ethernet port
USB Port	1 USB Device 2.0 port 1 USB Host 2.0 port
Program Download	USB Host/ USB Slave/Ethernet are provided
COM port	COM1 : RS232/RS485/RS422 COM3 : RS232